

# Technical data sheet

## Product features



### Electric fryer

<b>Model</b>	<b>SAP Code</b>	00008191
--------------	-----------------	----------



- Basin volume [l]: 13
- Drain type: On the front panel
- Safety drain: Yes
- Maximum device temperature [°C]: 190
- Minimum device temperature [°C]: 50
- Material: AISI 304
- Heating location: Inside the tank
- Number of baskets: 1
- Basket size [mm]: 280 x 295 x 100

<b>SAP Code</b>	00008191	<b>Loading</b>	400 V / 3N - 50 Hz
<b>Net Width [mm]</b>	400	<b>Basin volume [l]</b>	13
<b>Net Depth [mm]</b>	730	<b>Number of basins</b>	1
<b>Net Height [mm]</b>	313	<b>Number of baskets</b>	1
<b>Net Weight [kg]</b>	24.20	<b>Basket size [mm]</b>	280 x 295 x 100
<b>Power electric [kW]</b>	12.500	<b>Ratio power/volume [kW/l]</b>	0.96

# Technical data sheet

Technical drawing

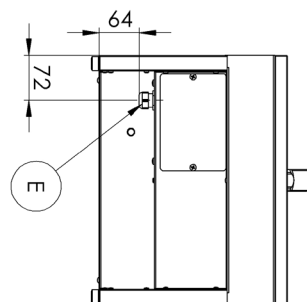
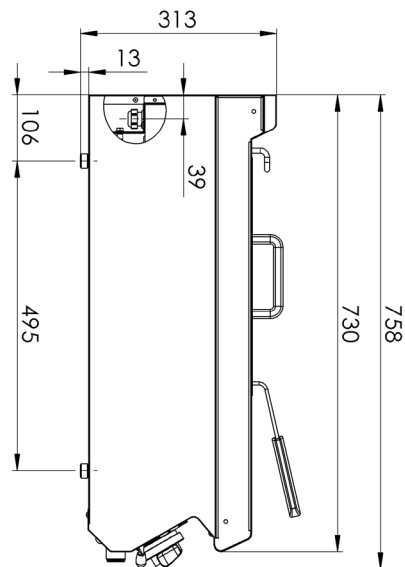
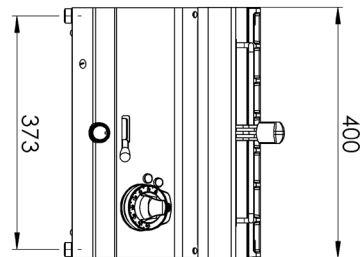


Electric fryer

Model

SAP Code

00008191



# Technical data sheet

Technical parameters



## Electric fryer

Model

SAP Code

00008191

### 1. SAP Code:

00008191

### 2. Net Width [mm]:

400

### 3. Net Depth [mm]:

730

### 4. Net Height [mm]:

313

### 5. Net Weight [kg]:

24.20

### 6. Gross Width [mm]:

440

### 7. Gross depth [mm]:

800

### 8. Gross Height [mm]:

480

### 9. Gross Weight [kg]:

29.00

### 10. Device type:

Electric unit

### 11. Construction type of device:

Table top

### 12. Power electric [kW]:

12.500

### 13. Loading:

400 V / 3N - 50 Hz

### 14. Protection of controls:

IP24

### 15. Exterior color of the device:

Stainless steel

### 16. Material:

AISI 304

### 17. Indicators:

operation and warm-up

### 18. Worktop type:

Molded - comfortable cleaning maintenance

### 19. Worktop material:

AISI 304

### 20. Worktop Thickness [mm]:

1.50

### 21. Surface finish:

polished stainless steel

### 22. Device heating type:

Direct

### 23. Standard equipment for device:

lid and basket

### 24. Basin volume [l]:

13

### 25. Basin dimensions [mm x mm x mm]:

308 x 338 x 199

### 26. Volume capacity of the container [l]:

13.00

### 27. Maximum device temperature [°C]:

190

### 28. Minimum device temperature [°C]:

50

# Technical data sheet

Technical parameters



## Electric fryer

Model

SAP Code

00008191

### 29. Service accessibility:

Trough the frontal panel

### 30. Safety thermostat:

Yes

### 31. Safety thermostat up to x ° C:

235

### 32. Heating element material:

Stainless steel

### 33. Number of baskets:

1

### 34. Number of basins:

1

### 35. Basket size [mm]:

280 x 295 x 100

### 36. Basin material:

AISI 304 - High quality stainless steel

### 37. Ratio power/volume [kW/l]:

0.96

### 38. Drain type:

On the front panel

### 39. Safety drain:

Yes

### 40. Heating location:

Inside the tank